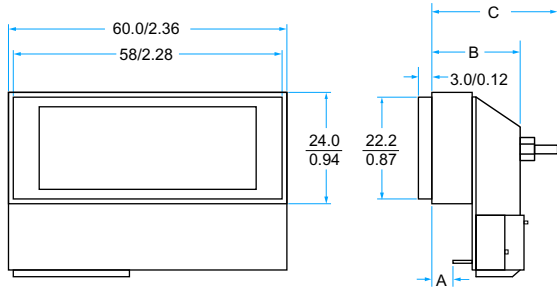


MECHANICAL DRAWINGS

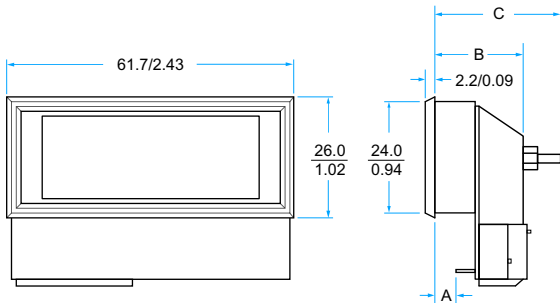
SPACE-SAVER 3½ DIGIT USER ADJUSTABLE

WINDOW MOUNT (SI64--- & S264---)

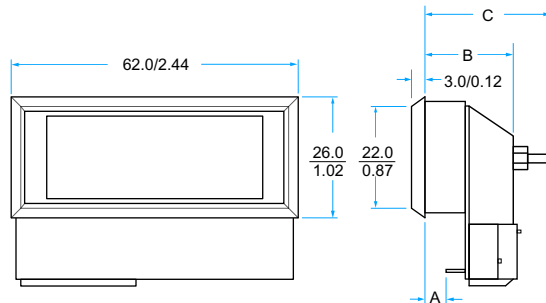


CONFIGURATION	BACKLIT	A	B	C
WINDOW MOUNT	NO	1.9/0.075	11.6/0.46	27.85/1.10
WINDOW MOUNT	YES	7.6/0.299	13.0/0.51	28.40/1.12
BEZEL MOUNT	NO	4.9/0.192	10.9/0.43	31.0/1.22
BEZEL MOUNT	YES	10.6/0.417	11.6/0.46	31.7/1.25
SNAP-IN BEZEL	NO	7.6/0.299	13.0/0.51	28.3/1.11

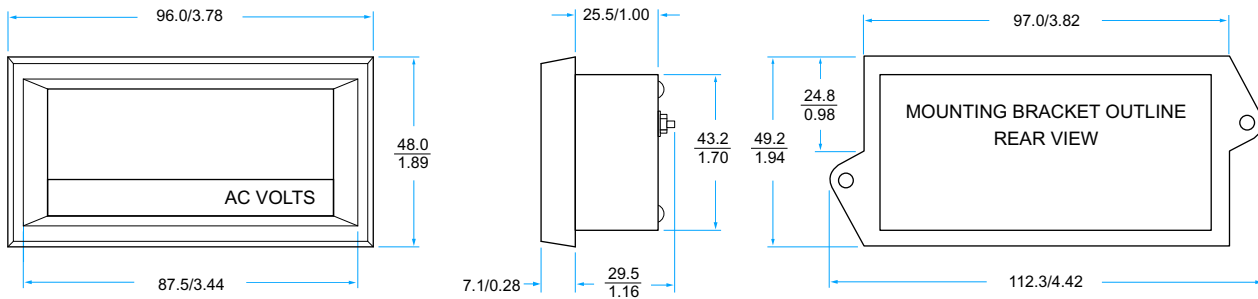
BEZEL MOUNT (SI74--- & S274---)



SNAP-IN BEZEL MOUNT (SI94--- & S294---)

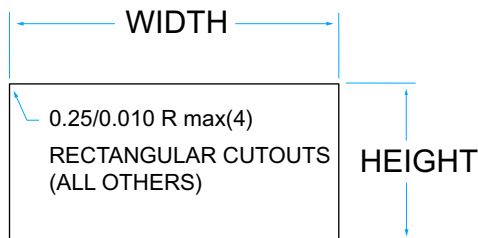


NEMA 1/8 DIN (SID4--- & S2D4---)



Note: 1. Panel thickness: 0-81mm/0.032" to 6.35mm/0.25"
 2. Gasket supplied is 1.9mm/0.075" thick

PANEL CUTOUTS



CONFIGURATION	WIDTH	HEIGHT
WINDOW MOUNT	58.37/2.298	22.35/0.880
BEZEL MOUNT	60.71/2.390	24.89/0.980
SNAP-IN BEZEL	60.71/2.390	24.89/0.980
1/8 DIN DPM	92.0/3.62	45.0/1.77